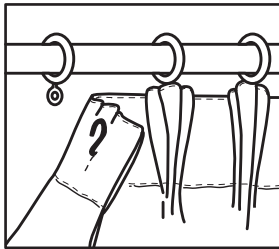


- Choose the type of Curtain heading you require - Pinch or Pencil Pleated.
- Select your choice of fabric using the Sample Hangers in store.
- Determine the curtain width and drop you require Using the "How to Measure Guide".
- Select the closest size grid available referring your measurements to the "Express Price Reference". If your window measurements fall between sizes, always move up to the next grid.
- Your curtains will be ready 10 -14 working days after you place your order.

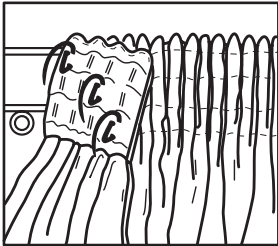
PINCH PLEAT HEADING

Pinch Pleating provides a more formal look. Pinch Pleated curtains hang beautifully due to the sewn pleats controlling the folds. It is essential to give the correct finished width of the curtain taking care to include any centre overlap or return to wall on your existing track.



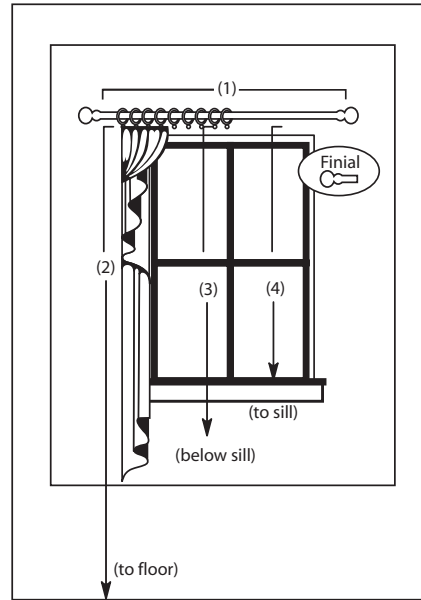
PENCIL PLEAT HEADING

A 7.5 cm wide tape is used allowing 3 hook positions giving either a 2.5 cm, 1.5 cm or 0.6 cm heading above the hook. By selecting the appropriate hook position, the curtain rail can either be covered or left in view. Upon receiving your curtains simply pull on the strings to gather your drapes to the correct width. Loosening or tightening the Pencil Pleat Tape can hide any minor incorrect measurement.



Determine if your Express Curtains will hang from a decorative pole or rod or alternatively, from tracking. You should always ensure that new or existing tracks and poles extend well past the window to enable the curtains to be drawn well open.

MEASURING FOR A DECORATIVE POLE OR ROD

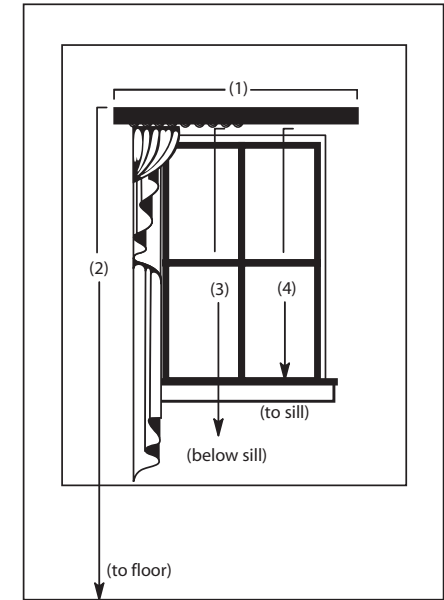


Decorative Pole or Rod

Width Measurement: Ensuring your decorative rod or pole is extended equally past your window, measure the total length between the two finials (decorative ends) refer to the diagram above (1). This will determine your required width.

Drop Measurements: Simply measure from the bottom of the rings to the point you choose to end your curtain drop. This may be (2) to the floor, (3) to just below the sill or (4) to the sill. This will be your drop.

MEASURING FOR CURTAIN TRACKING



Curtain Track

Width Measurement: Ensuring your curtain track is extended equally past your window, measure the total length including any returns (curved ends). Refer to the diagram above (1). This will determine your required width.

Drop Measurements: Simply measure from the top of the track to the point you choose to end your curtain drop. This may be (2) to the floor, (3) to just below the sill or (4) to the sill. This will be your drop.